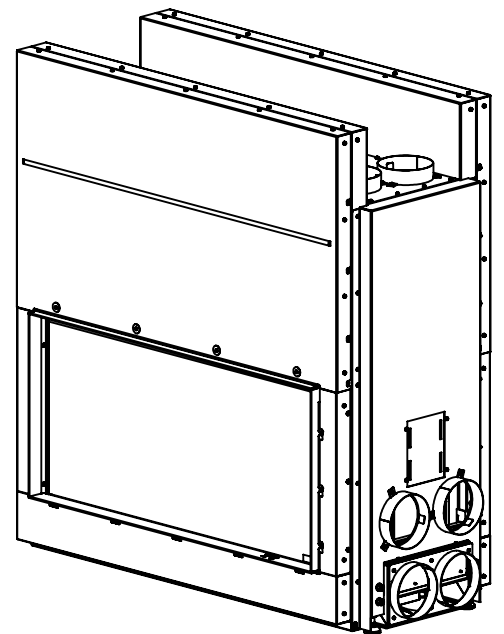
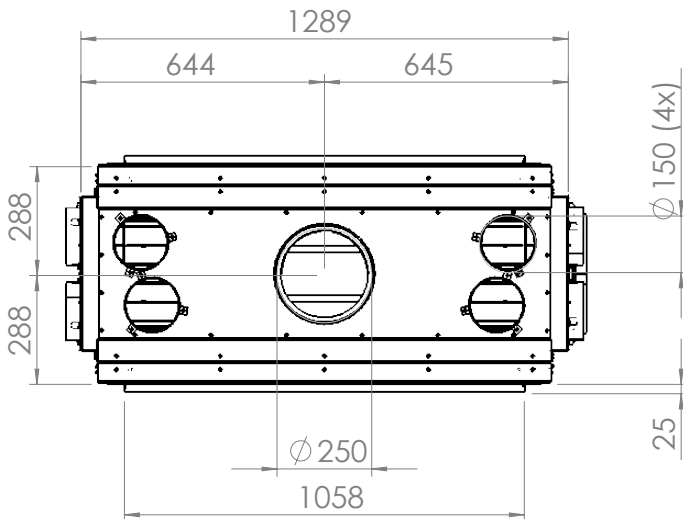
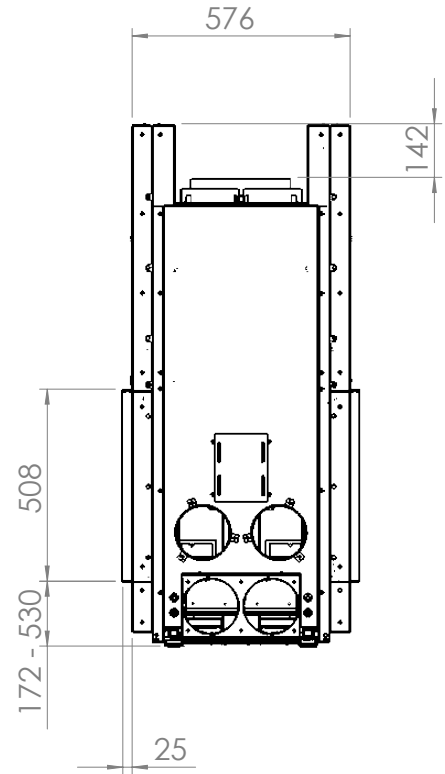
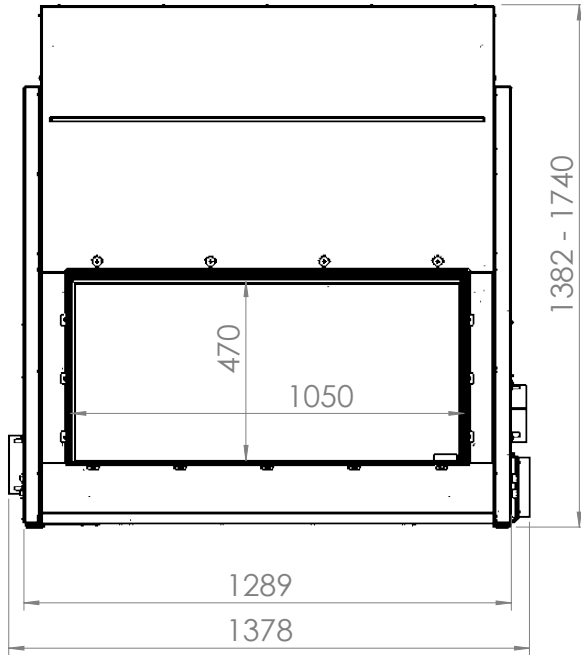


KALFIRE

FIREPLACES

W105-47T



All dimensions in mm. Modifications under reserve.

22-9-2020 sheet 1 / 4

© All rights reserved. This drawing is sole property of Kal-fire. No part of this drawing may be reproduced, or published, in any form or in any way without prior written permission from Kal-fire.

